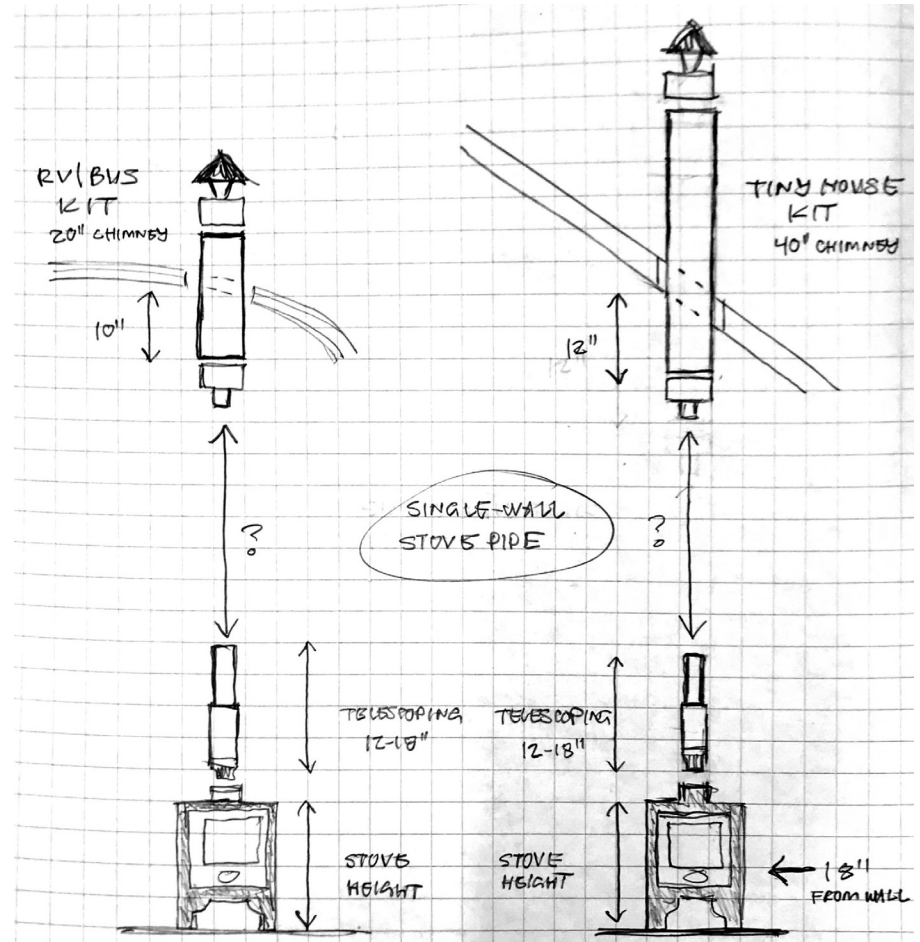


ROOF INSTALLATION WORKSHEET

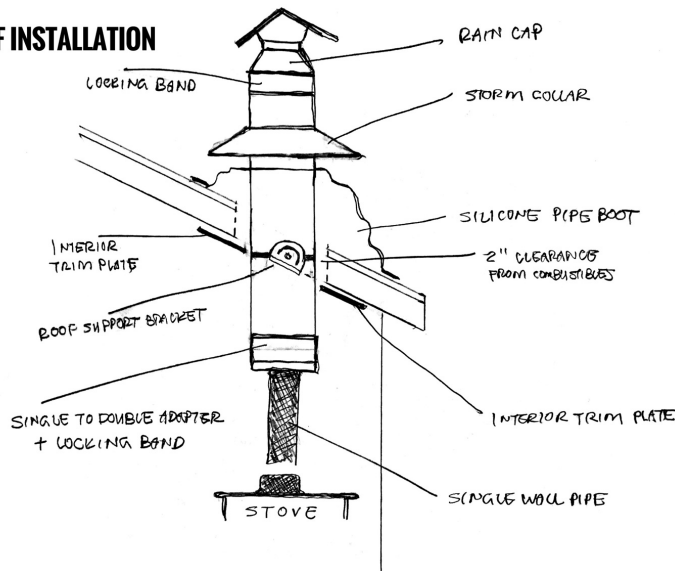
Roof Installation

Our basic installation kit comes with the parts you need to vent your stove out of the roof. Since every installation is different you will need to get enough single-wall pipe for your specific application. Complete the following worksheet to calculate how much single-wall pipe you will need in addition to your install kit.

A.	Measurement from floor to ceiling 18" from wall. (6" if using a heat shield)	
B.	Subtract height of stand (if applicable) or if the stove will be setting on anything above the floor.	
C.	Subtract height of stove (or the top of the flue outlet if venting out the rear of the stove)	
D.	Subtract 10" for the Double-Wall pipe and 12" for the telescoping Single-Wall pipe included in your kit.	- 22"
TOTAL LENGTH OF SINGLE-WALL PIPE NEEDED =		
<i>Pipe comes in 20" & 40" Sections.</i>		



ROOF INSTALLATION



STOVE HEIGHTS

	3kw	4kw	5kw
STOCK	17"	19"	22"
+ TALL LEGS	21"	23"	25"
+ STAND	X	26"	31"
+ OVEN	X	X	35"